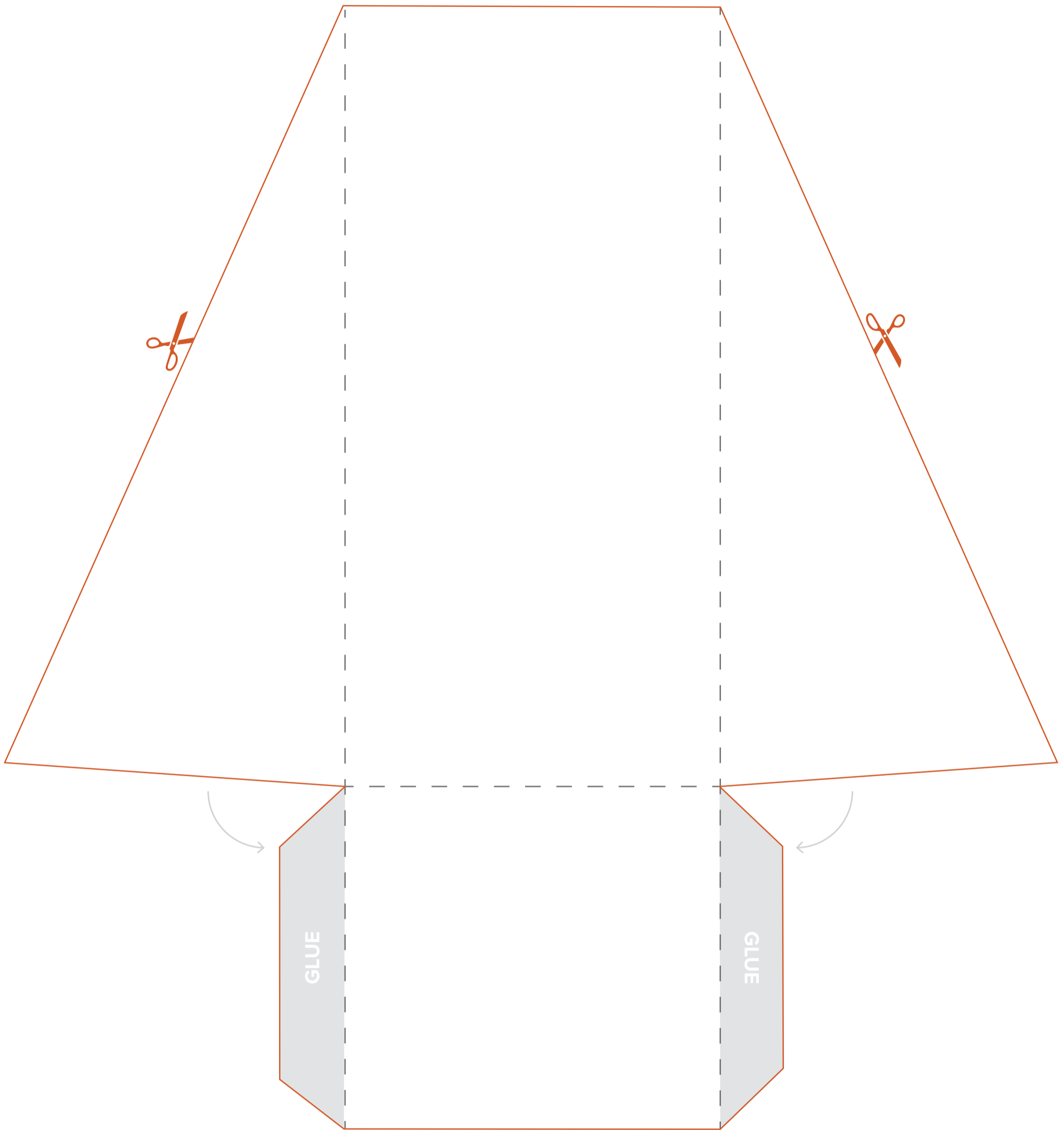


Tom Karen Car Design Template

Wedge - Bond Bug Style Design



1. Cut out the solid **ORANGE** lines.
2. Decorate the white space with your car design. Don't forget to add in windows!
3. Laminate your shape while it is flat.
4. Score and fold the dotted lines.
5. Glue the **GREY** tabs to the inside of the side panels.